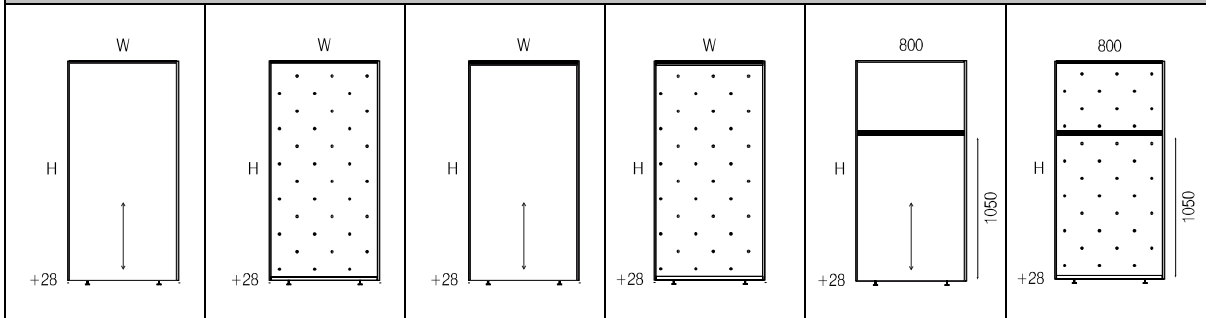


WALL-S

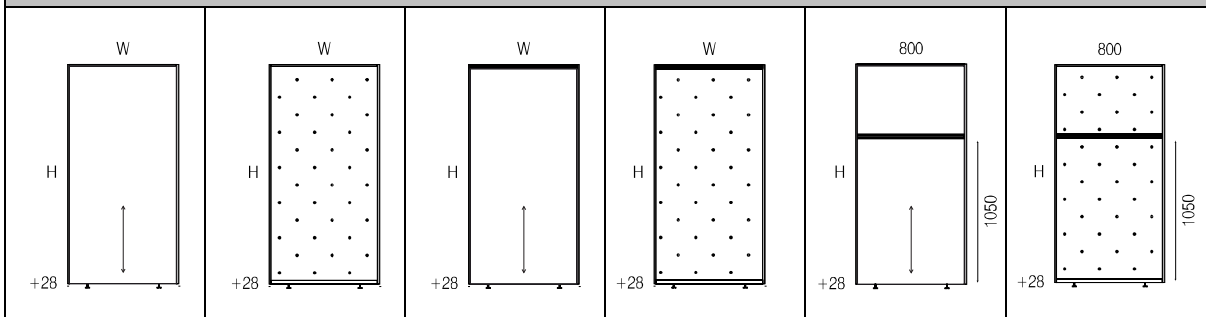
Systemprodukte

Stelltrennwände



[W x H]	INDEX					
1600 x 1588	SCA-PP-516		SCA-PL-516			
1400 x 1588	SCA-PP-514		SCA-PL-514			
1200 x 1588	SCA-PP-512	SCA-TT-512	SCA-PL-512	SCA-TL-512	SCA-PW-508	SCA-TW-508
800 x 1588	SCA-PP-508	SCA-TT-508	SCA-PL-508	SCA-TL-508		
600 x 1588	SCA-PP-506	SCA-TT-506	SCA-PL-506	SCA-TL-506		
400 x 1588	SCA-PP-504	SCA-TT-504	SCA-PL-504	SCA-TL-504		
1600 x 1372	SCA-PP-416		SCA-PL-416			
1400 x 1372	SCA-PP-414		SCA-PL-414			
1200 x 1372	SCA-PP-412	SCA-TT-412	SCA-PL-412	SCA-TL-412		
800 x 1372	SCA-PP-408	SCA-TT-408	SCA-PL-408	SCA-TL-408		
600 x 1372	SCA-PP-406	SCA-TT-406	SCA-PL-406	SCA-TL-406		
400 x 1372	SCA-PP-404	SCA-TT-404	SCA-PL-404	SCA-TL-404		

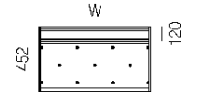
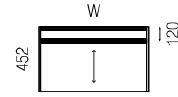
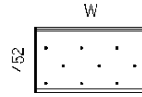
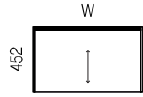
Stelltrennwände



[W x H]	INDEX					
1600 x 1204	SCA-PP-316		SCA-PL-316			
1400 x 1204	SCA-PP-314	SCA-TT-314	SCA-PL-314	SCA-TL-314		
1200 x 1204	SCA-PP-312	SCA-TT-312	SCA-PL-312	SCA-TL-312		
800 x 1204	SCA-PP-308	SCA-TT-308	SCA-PL-308	SCA-TL-308	SCA-PW-308	SCA-TW-308
600 x 1204	SCA-PP-306	SCA-TT-306	SCA-PL-306	SCA-TL-306		
400 x 1204	SCA-PP-304	SCA-TT-304	SCA-PL-304	SCA-TL-304		
1600 x 1059			SCA-PL-216			
1400 x 1059			SCA-PL-214	SCA-TL-214		
1200 x 1059			SCA-PL-212	SCA-TL-212		
800 x 1059			SCA-PL-208	SCA-TL-208		
600 x 1059			SCA-PL-206	SCA-TL-206		
400 x 1059			SCA-PL-204	SCA-TL-204		

Tischtrennwände

[W x H]	INDEX			
1800 x 452	SCA-PL-118	SCA-TL-118	SCA-PD-118	SCA-TD-118
1600 x 452	SCA-PL-116	SCA-TL-116	SCA-PD-116	SCA-TD-116
1400 x 452	SCA-PL-114	SCA-TL-114		
1200 x 452	SCA-PL-112	SCA-TL-112	SCA-PD-112	SCA-TD-112
800 x 452	SCA-PL-108	SCA-TL-108		
600 x 452	SCA-PL-106	SCA-TL-106		



Systemzubehör

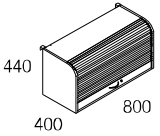
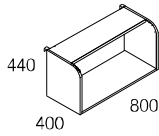
Pfosten, Säulen und andere Verkettungselemente

[H]	INDEX				
Basic: 1588 (1616)	SCA-SB-501	SCA-SB-521	SCA-SB-511		
Basic: 1372 (1400)	SCA-SB-401	SCA-SB-421	SCA-SB-411		
Basic: 1204 (1232)	SCA-SB-301	SCA-SB-321	SCA-SB-311		
Basic: 1059 (1087)	SCA-SB-201	SCA-SB-221	SCA-SB-211		
Basic: 452 (452)	SCA-SB-101	SCA-SB-121			
350 / 80				SCA-SB-008	
					AKC-IN-050

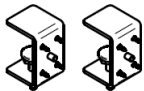
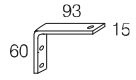
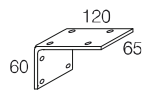
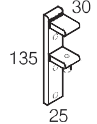
Thekenelemente / 3-Ebene

[H]	INDEX			
1800	SCA-PR-005	SCA-NP-001		
1600	SCA-PR-004	SCA-NP-002		
1400	SCA-PR-003	SCA-NP-003		
1200	SCA-PR-002	SCA-NP-004		
1100			SCA-PR-006	SCA-PR-007
800	SCA-PR-001	SCA-NP-005		





Hängeschränke




Hängeschränke		
[T x B x H]	INDEX	
800 x 400 x 400	 SCA-SC-775	 SCA-SC-776

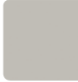

Verkettungsverbinder

Verkettungsverbinder			
[T x B x H]	INDEX		
	 AKC-IN-308	 AKC-IN-043	 AKC-IN-044
15 x 93 x 60			
65 x 120 x 60			
25 x 30 x 135			 AKC-IN-044

Farben

MCF								
								
ABB	AAK	ADR	AAN					

MDF		KUNSTOFF
		
JAL	JAN	GAL

METALLBLENDE	
	
JME	JAN

STOFF									
HAITI STOFF									
									
TMH	TBH	TUH	TNH	TFH	TPH	TRH	THH	TZH	TDH
									
TCH	TGH								

STOFF

PETRUS STOFF

									
TMT	TCS	TER	TWN	TAG	TGA	TKI	TNX	TNT	TCE
									
TDM	TDK								

STOFF

WOOL STOFF

									
TOR	TCA	TBI	TDU	THY	THI	TSI	TPE	TGR	TON
									
TLI	TWO	TTE	TFI	TFU	TPL	TEG	TIN	TEM	TCL
									
TPC	TRC	TST	TMS	TSN	TTM	TSG	TJA		

STOFF

NEXT

						
TZT	TPM	TCR	TZN	TSZ	TGF	TGT